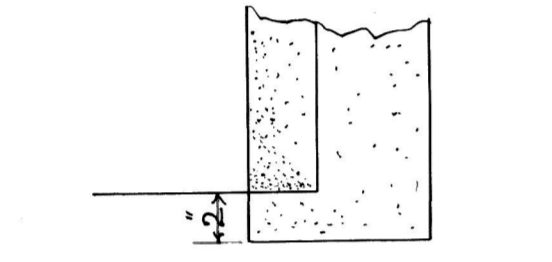
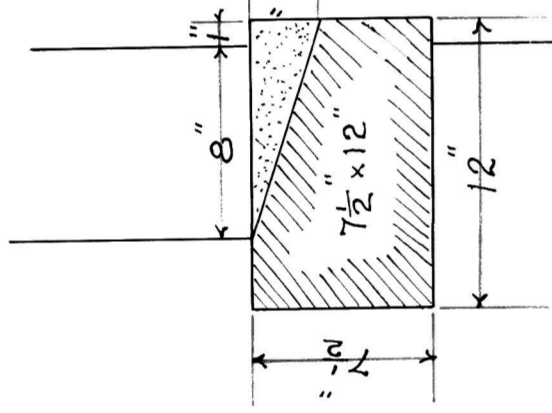
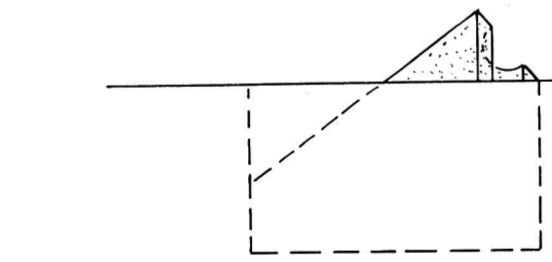
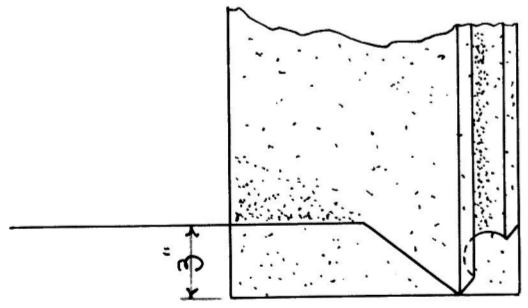
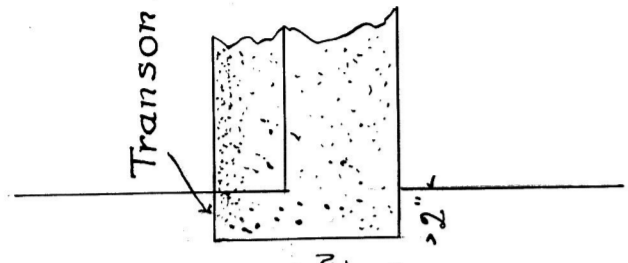
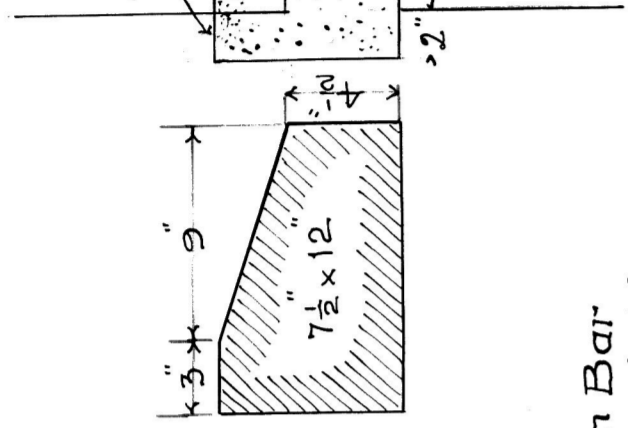


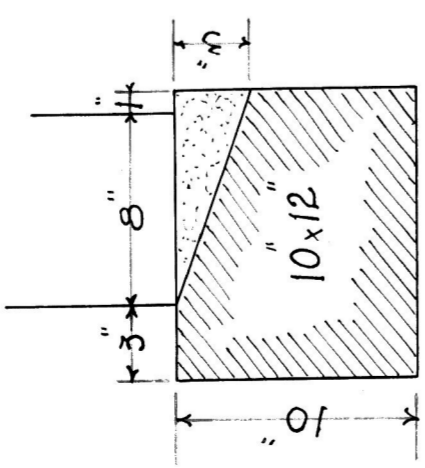
Belt Course over windows No. 5



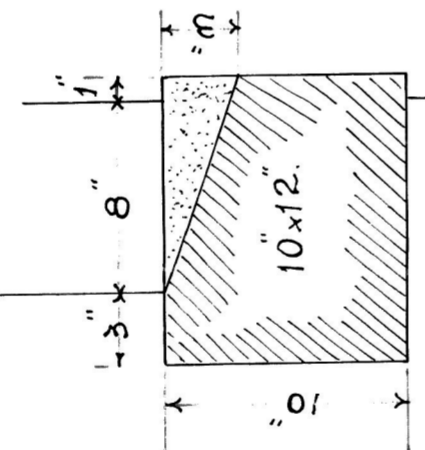
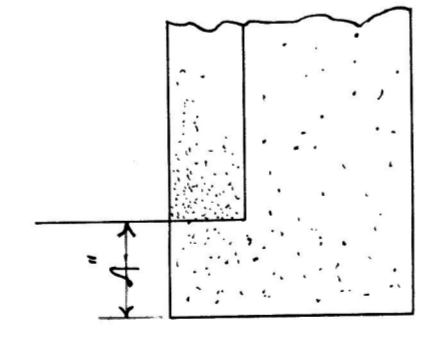
Sill and Transom Bar to twelve windows in Tower.



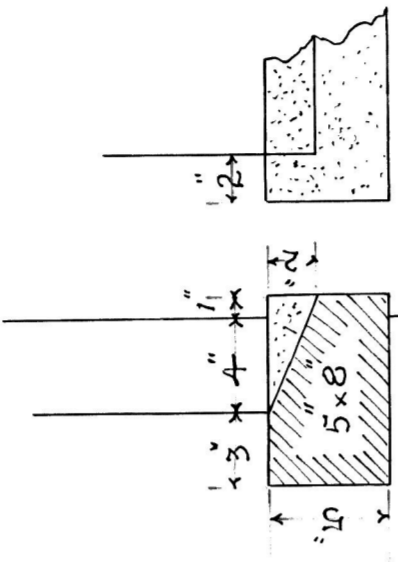
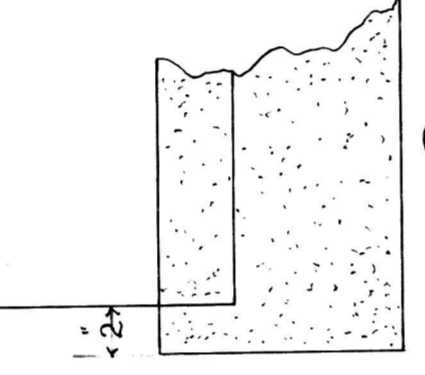
Transom Bar flush with wall.



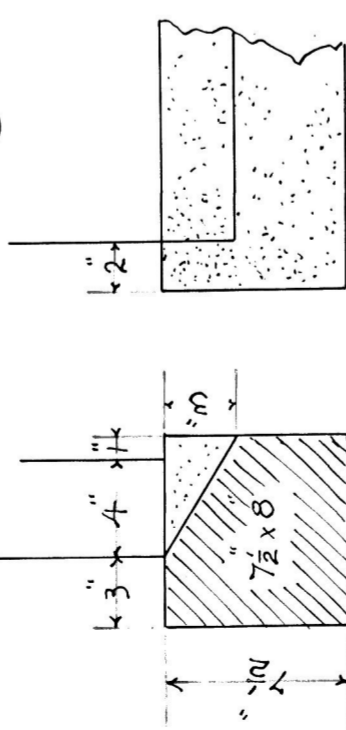
Sill to window No. 17



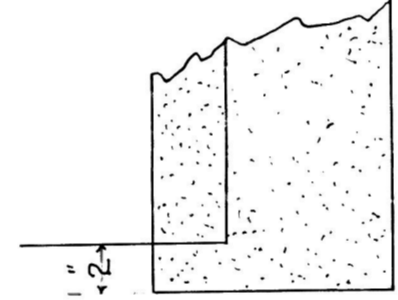
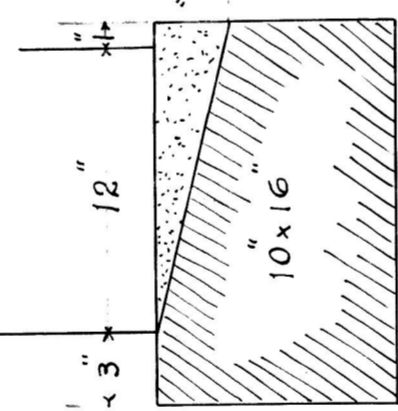
Sill to windows No. 18.



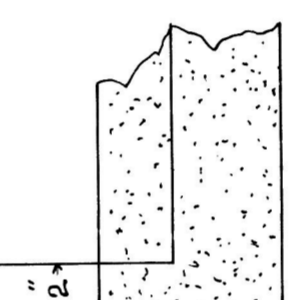
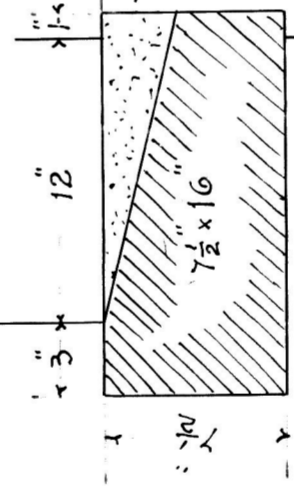
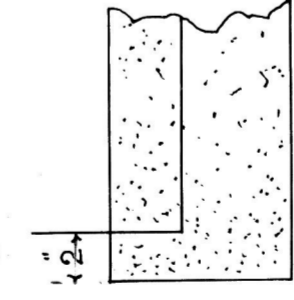
Sill to windows No. 6, 8 & 9.



Sill to windows No. 13, 14, 16, 24, 25 & 26.

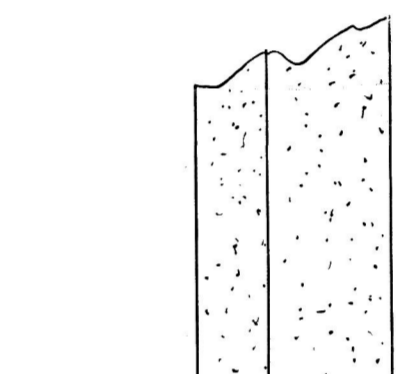
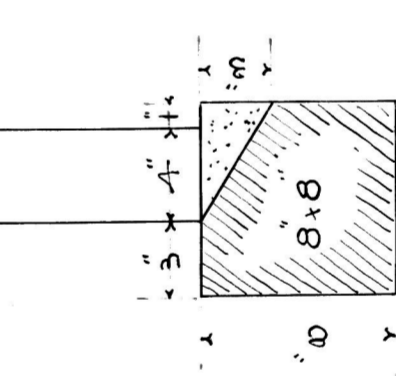
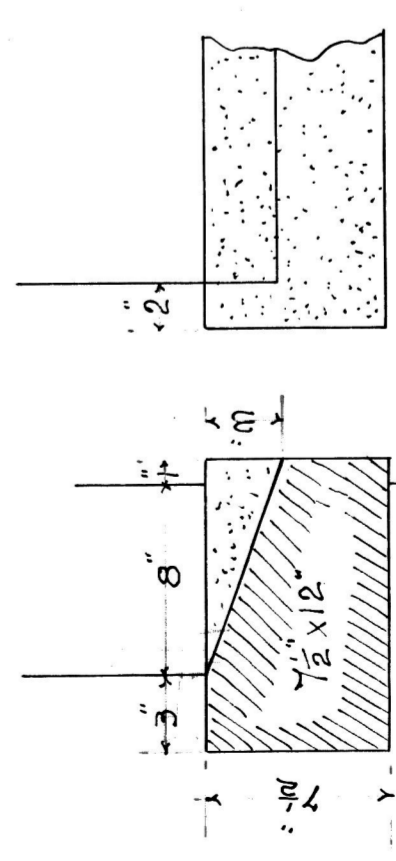


Sill to windows No. 27



Coping, to opening to outer Vestibule, corner toward 7th St. & Reservoir.

Sill to four windows in Tower, long Arch Head Windows.



Sill to windows No. 5 & 15 also nine small windows in top of Gable Ends.

Sill to windows No. 19

DETAILS OF STONEWORK,
COURT ST. METHODIST CHURCH,
LYNCHBURG, VA.

E. G. FRYE, ARCHT.
LYNCHBURG, VA.

SCALE 1 1/2" = 1 FOOT.