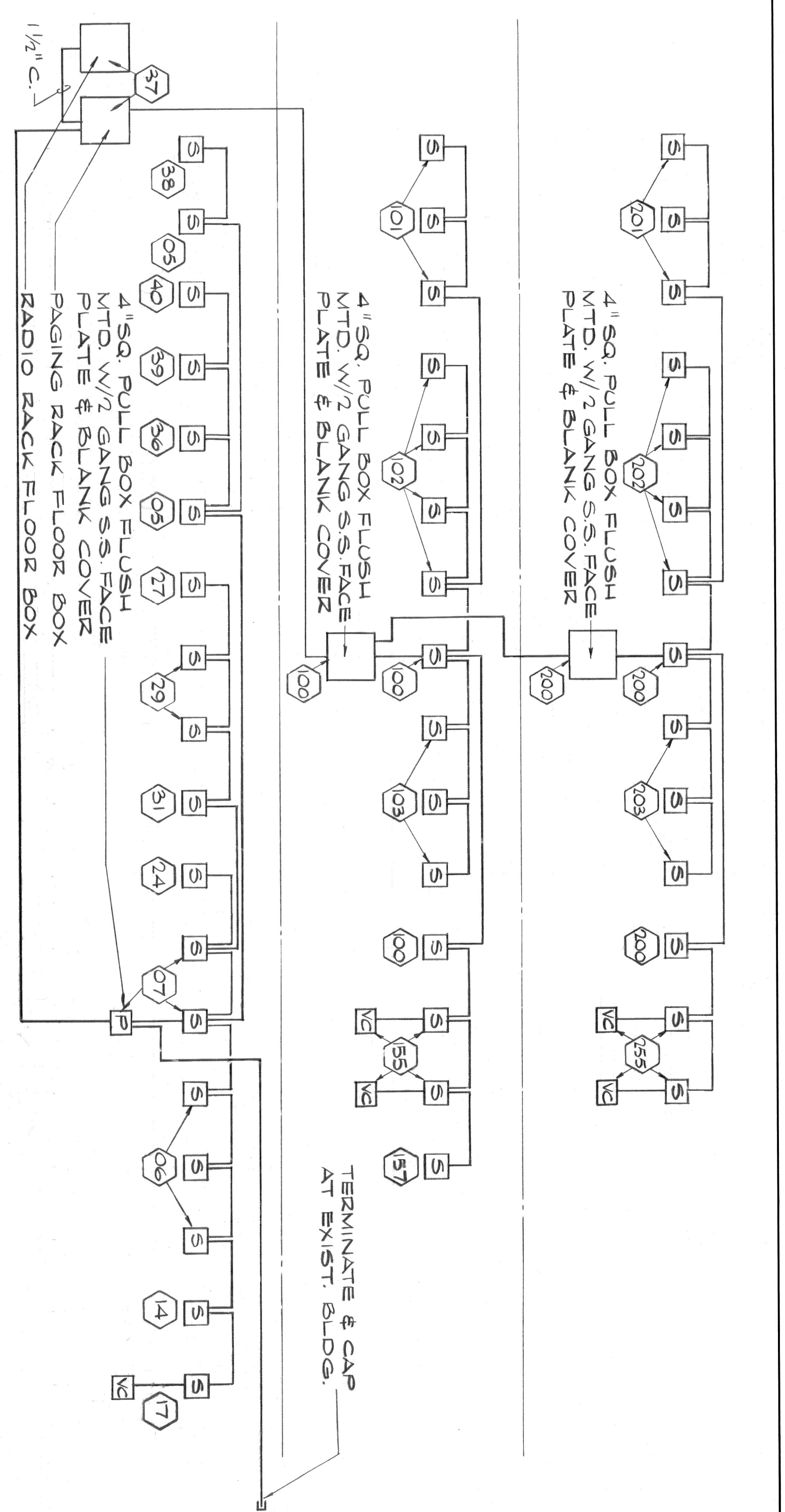
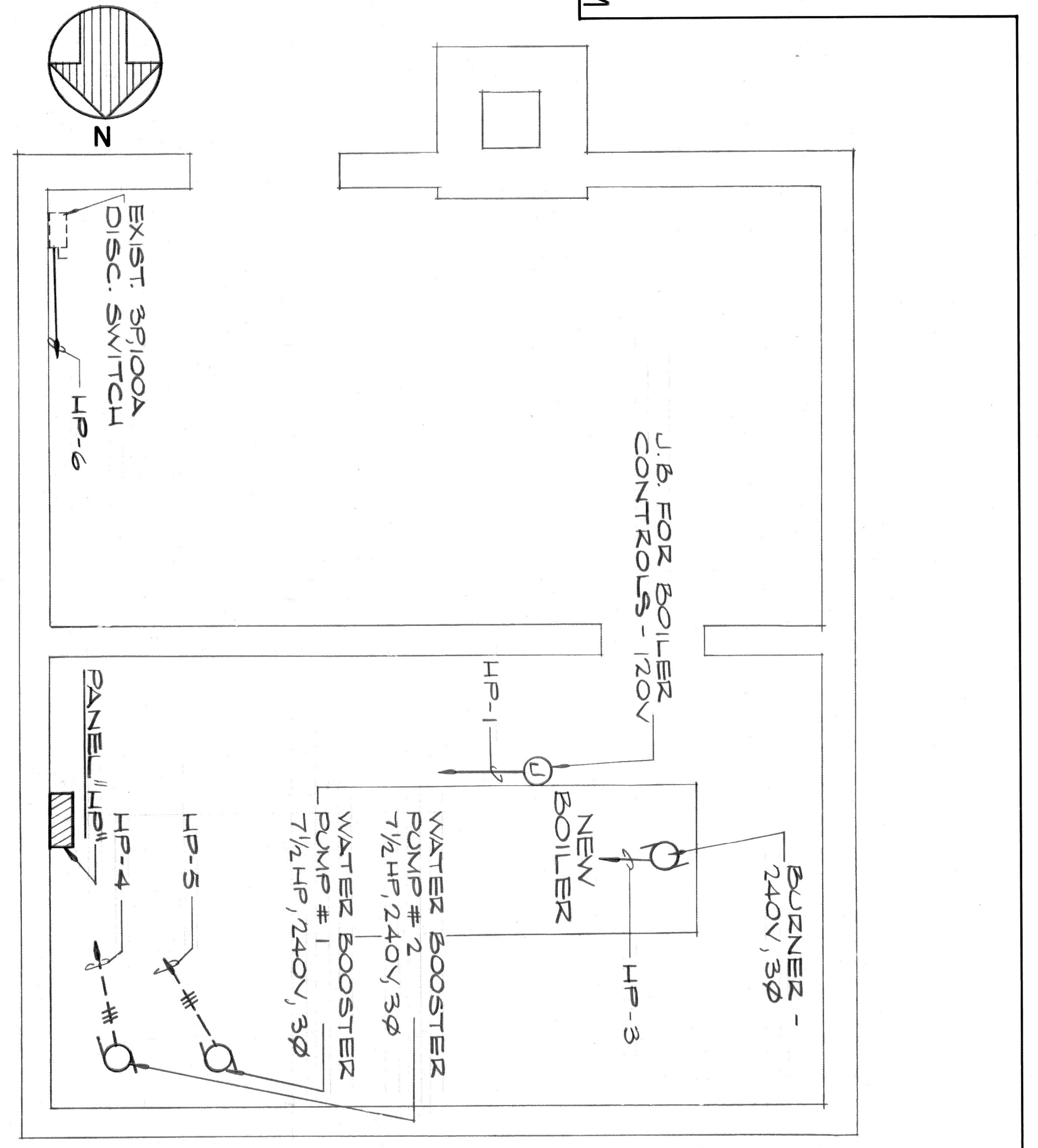
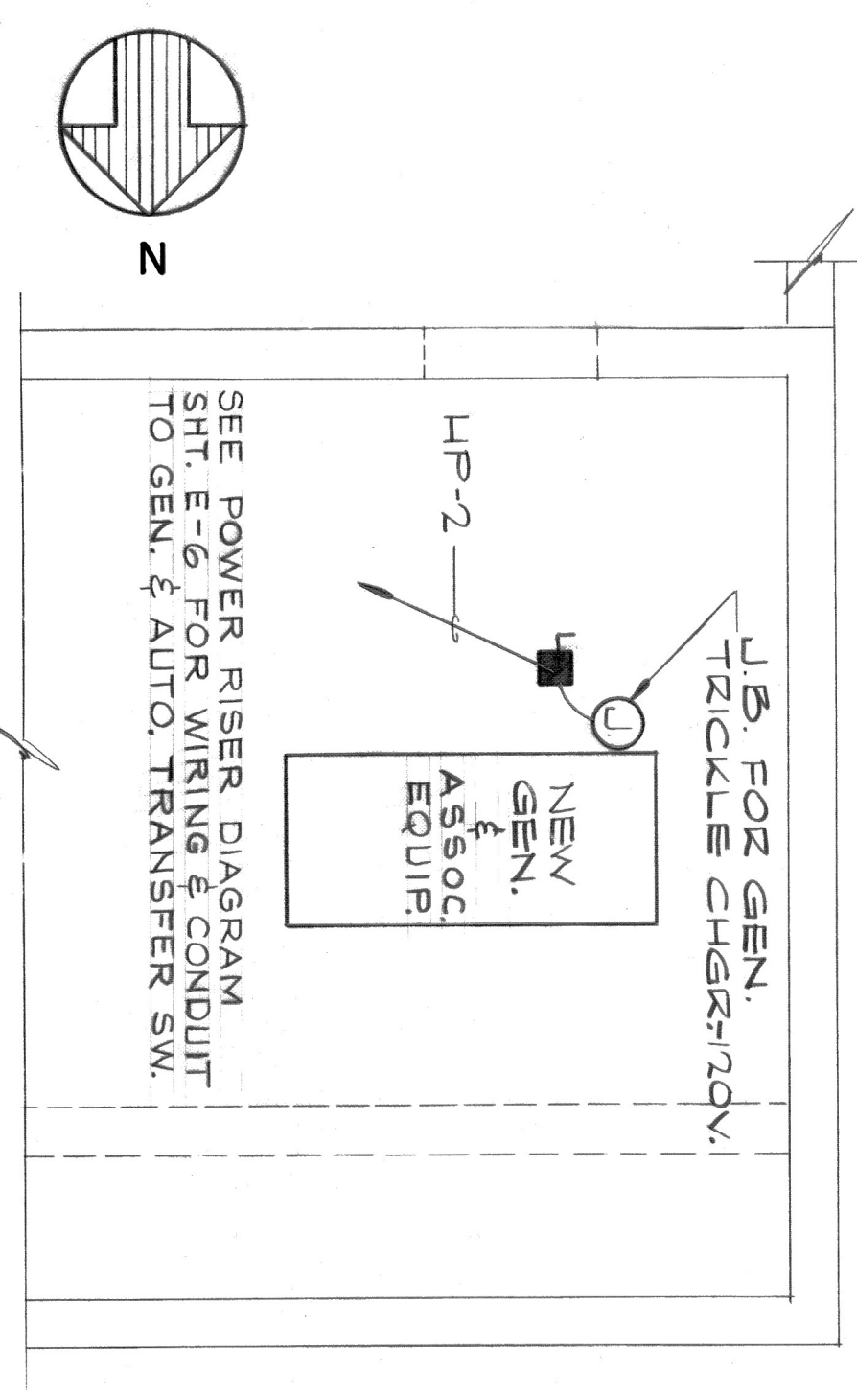


- NOTES (MODEL NOS. ARE EXECUTIVE)
- PULL BOXES BEHIND HULL-RON CABINETS IN ROOMS 106-109, 118-125, 206-209 & 218-225 TO BE 3-5/8" 3-GANG OUTLET BOXES W/ ONE SGP PARTITION & 3-GANG COVER. MOUNT AT HEIGHT TO SUIT HULL-RON CABINET.
 - PULL BOXES BEHIND HULL-RON CABINETS IN ROOMS 10117 & 210-217 TO BE 3-5/8" 3-GANG OUTLET BOXES W/ ONE SGP PARTITION & 3-GANG COVER. MOUNT AT HEIGHT TO SUIT HULL-RON CABINET.
 - TV CABINETS # 1, 2 & 3 TO BE 12" X 12" X 4" FLUSH MOUNTED.
 - TV CABINET # 4 TO BE 12" X 12" X 4" SURFACE MOUNTED.
 - ALL CONDUIT TO BE 3/4" UNLESS OTHERWISE NOTED.
 - CONTROL EQUIPMENT PANELS # 1 & 2 TO BE FLUSH MOUNTED NO. HAV1923-40AHD.
 - HOSPITAL STAFF STATION BACKBOX TO SUIT NO. HAV401LW31 UNIT BY OTHERS.
 - DUTY STATION BACKBOX TO SUIT NO. HAV11W33 UNIT BY OTHERS.
 - TOILET CALL STATION BACKBOX TO SUIT NO. HAV191W41 UNIT OR NO. HAV1191TY1 WEATHERPROOF UNIT BY OTHERS.

NURSES CALL, RADIO & TV EMPTY CONDUIT SYSTEMS RISER DIAGRAM
NO SCALE



PAGING & MUSIC EMPTY CONDUIT SYSTEM RISER DIAGRAM
NOTE: SEE NURSES CALL RISER DIAGRAM THIS SHEET FOR NOTES.
NO SCALE

HEATING PLANT PLAN - LEVEL 2
1/4" = 1'-0"

HEATING PLANT PLAN - LEVEL 1
1/4" = 1'-0"



ALTERATIONS & ADDITIONS
TO
GUGGENHEIMER MEMORIAL
HOSPITAL
LYNCHBURG, VIRGINIA

CLARK NEXSEN & OWEN - ARCHITECTS
LYNCHBURG, VIRGINIA
NORFOLK, VIRGINIA

REVISION	DATE	BY	FOR

DRG. NO. E-7