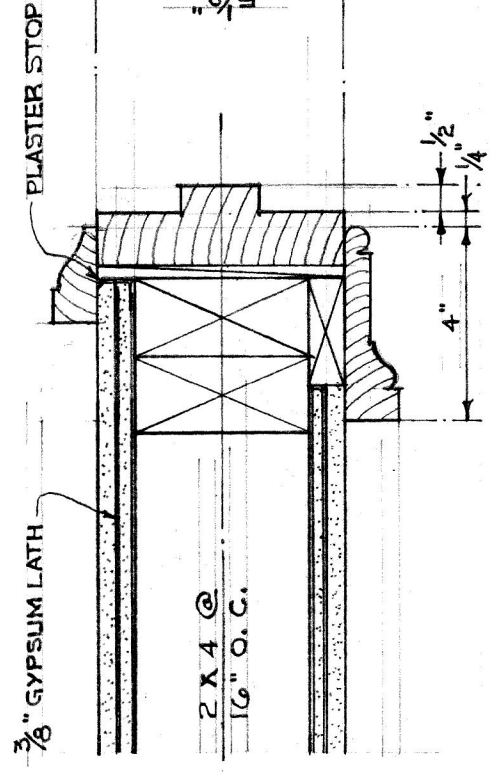
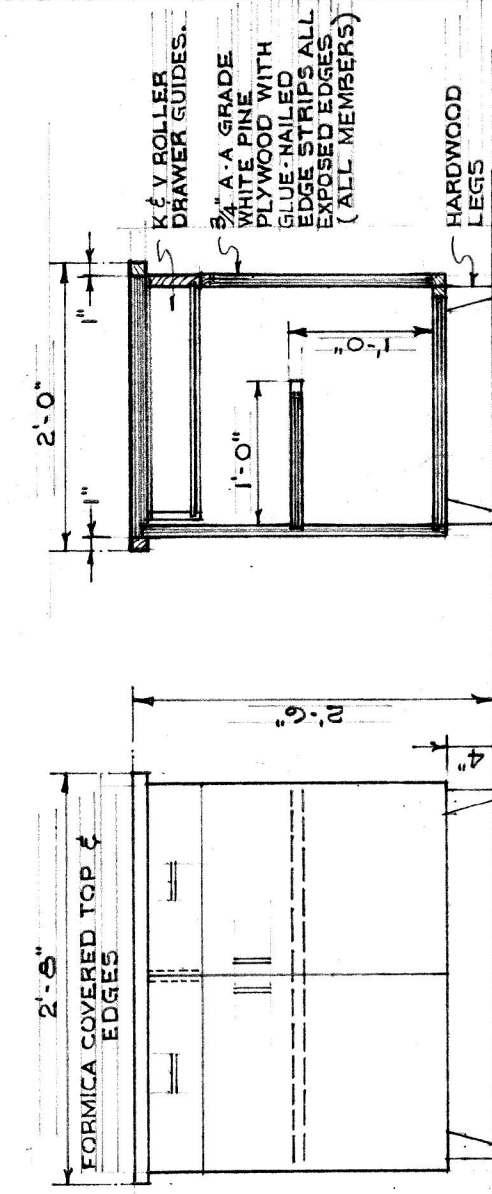


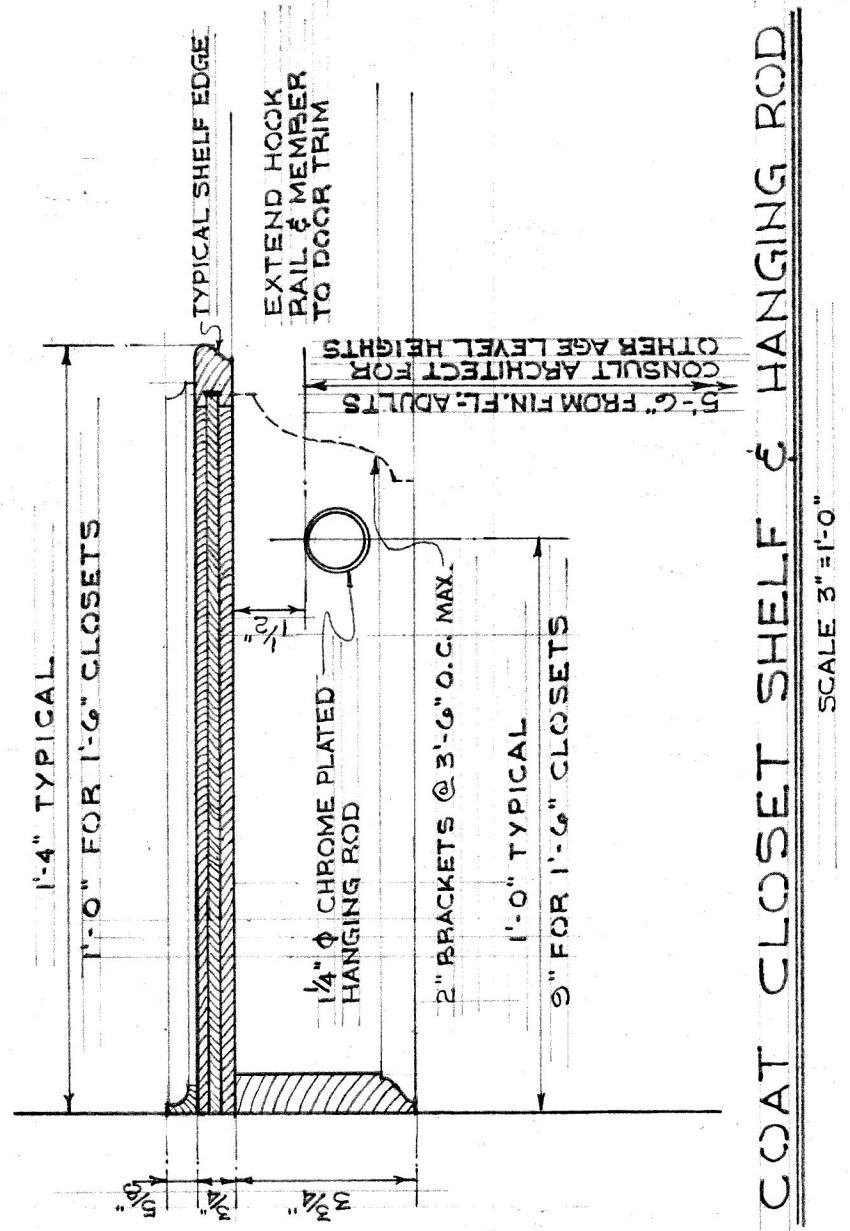
CLOSET OR TOILET SIDE



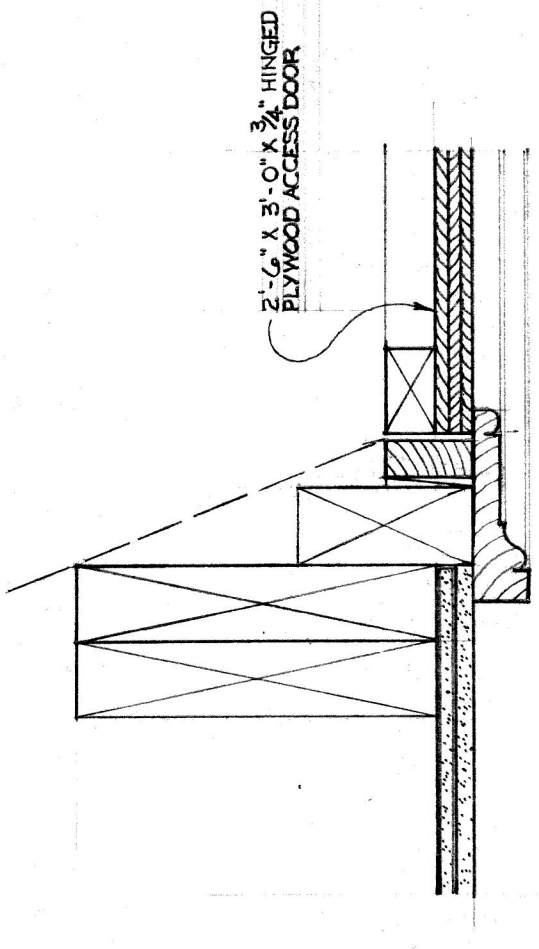
ROOM OR HALL SIDE  
TYPICAL DOOR JAMB  
SCALE 3"=1'-0"



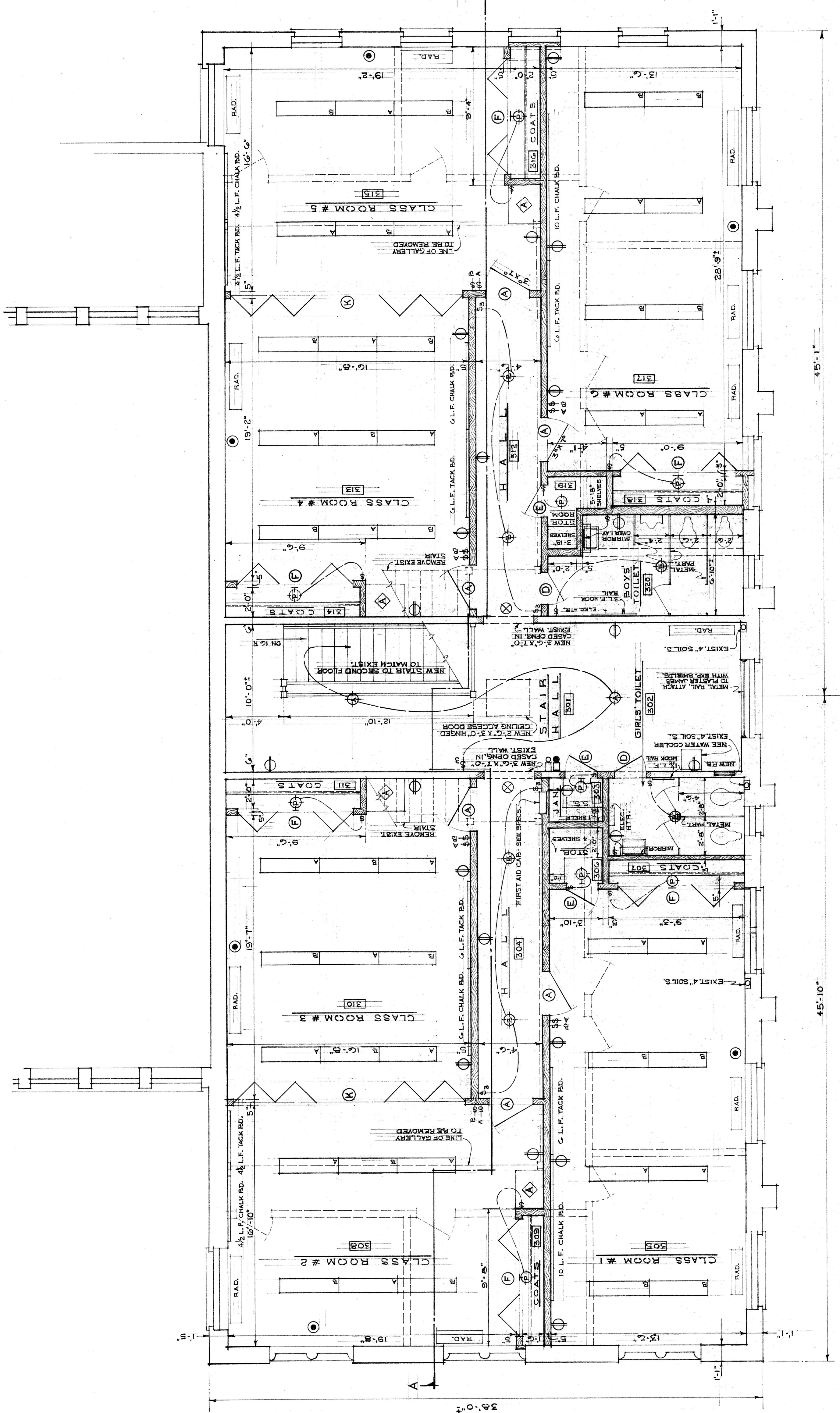
ELEVATION SECTION  
CABINET UNIT  
SCALE 3/4"=1'-0"



COAT CLOSET SHELF & HANGING ROD  
SCALE 3"=1'-0"



CEILING ACCESS DOOR  
SCALE 3"=1'-0"



THIRD FLOOR PLAN  
SCALE 1/4"=1'-0"

NEW COMPOSITION FLOOR & BASE OVER 3/4" PLYWOOD SUB-FLOOR

COURT STREET

ALTERATIONS TO SUNDAY SCHOOL  
COURT STREET METHODIST CHURCH  
LYNCHBURG, VIRGINIA  
STANHOPE S. JOHNSON - ARCHITECT  
12 MAY 1966  
11 JULY 1966  
DRAWING NO. 4