

Eye Instrumentation and IUSS Reduction Team

I. Background

Instrument kits are not standardized – having unused instruments in kits leads to wasted time spent on processing, set-up and counting. In addition, the inventory level may not be adequate to support case volume. By eliminating unused instruments from kits and establishing an adequate instrument/kit inventory, we have an opportunity to reduce excessive IUSS. This team will establish the methodology, specifically addressing the problem in the Eye Service. Future similar teams will address the problem in other services, using the methodology established by this team.

Goal:
Reduce the rate of IUSS from the existing 61% to 2-5%

Project Team
Sponsor: Elena Canacari

Rick Caswell
Beverly Fuller
Barbara DiTullio

Charlotte Guglielmi (Co-Leader) Marie Pierre
Alma Martin Ross Simon (Facilitator)
Deb Martinez (Co-Leader) Kristey Smart-Ladd

II. Methodology

1. Standardize /lean kits

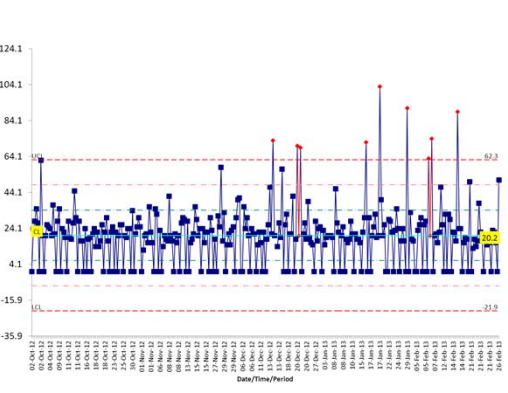
- Identify which instruments actually used

CATALOG	DESCRIPTION	QTY	Surgeon A	Surgeon B	Surgeon C	Surgeon D	Surgeon E	Surgeon F	Surgeon G	Surgeon H	Surgeon I
Katena K5-6510	JEWELLER'S FORCEPS #1 3r	5									
Katena K5-2020	0.12 SUTURING FCP STR	1	BDFFGH								
Katena K3-2120	Wheeler S spatula D/E	1									
VMueller OP0910-651	0.12 SUTURING Fcps (McPherson) 3r	1	DGFI								
Katena K6-1000	McPherson Needle Holder 3r w/lock	1	CI								
Katena K5-5011	Ultras Capsulorhexis Fcps w/marks @ 2.5 & 5mm	1	GH								
Katena K6-5020	Vannas Capsulotomy Scissors Sharp Sirm Ang Fend	1									
Katena K4-4310	Vannas Tenotomy Scissors 4 1/4" CVD ST	1	C								
Katena K1-8200	DesMares Lid Retractor Size 0	1									
Pilling 456005	Round Knife Handle 3" (7.5cm BEAVER)	1	BDI								
Pilling 182310	Halstead Mosquito 5" Cvd	1									
Pilling 144552	Stevens Tenotomy Scissors 4 5/8" Cvd	1	ABDI								
Katena K5-3500	Bishop-Harmon Tissue Fcps 1x2 Teeth delicate	1	CD								
Katena K4-9000	Vannas Capsulotomy Scissors 3r Sirm Sharp	1	BCDFGI								
Katena K3-6810	Jameson Muscle Hook LG	1	C								
Katena K3-5522	Kugel's Iris Hook & Lens Manipulator 4 1/2" 3r	1	FGHURM								
Katena K3-5192	Snodden Lens Hook 3r 0.2mm Blunt Tip	1	GI								
VMueller OP3515	Bonn Peripheral Indectomy Fcps 2 7/8" 1x2 Teeth	1	BCDFHM								
Storz E18155	McPherson Tying Fcps 3 1/4" 3r Sirm	1									
Pilling 463950	Iris Ultrasound Scissors 4 1/2" 3r Sharp	1									
Pellon Surgical 6-114	Kim Chopper Opposite Angleable Nucleus Rotator	1	ABDJMN								

- Review with surgeons
- Remove from kits instruments not used.

2. Calculate average case time using data from PIMS.

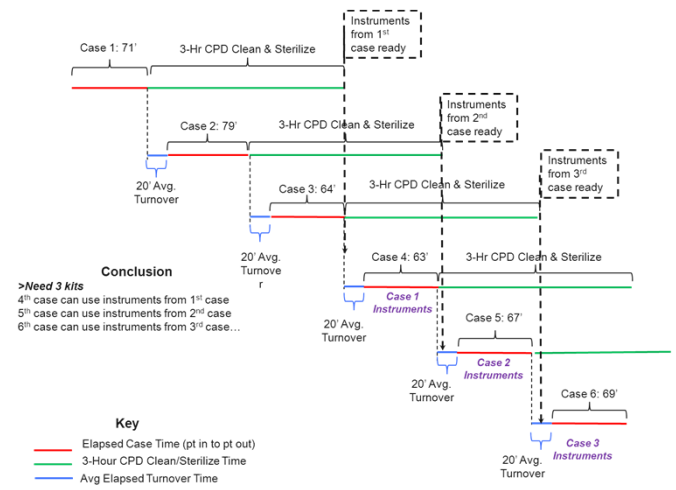
3. Calculate average turnover time



4. Determine time necessary to properly clean, sterilize and wrap kits.

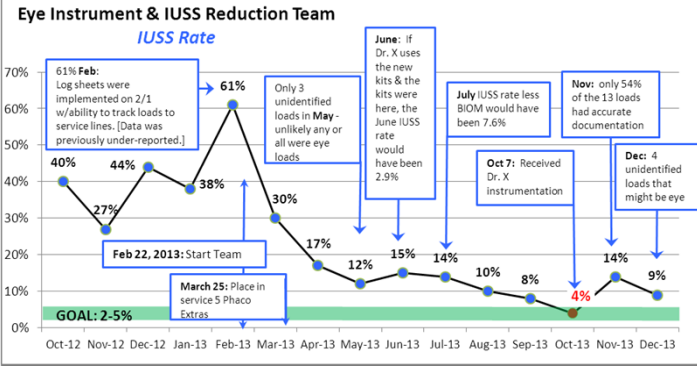
III. Methodology (cont.)

5. Using values calculated, map out the process to determine number of kits needed :



6. Purchase additional kits as required.

IV. Results



V. Next Steps

- Trend instrument usage over time and continue to remove unused items
- Incorporate IUSS rates review into daily metrics to address excursions in real time
- Service-by-service review of IUSS rates
- Apply methodology to requests for additional instruments not budgeted
- Apply methodology to projected service line growth